

Application Note, Arm Configuration, Multi-Contact Wedge (MCW) Style Probe

MCW Probe Arm Configuration

Figure 1 shows a probe arm configured for use with the multi-contact wedge PicoProbe MCW-14. This configuration is capable of up to 5 DC connections through a 6-pin connector or 12 DC connections through a 19-pin connector (shown). The wires (representatively shown in the figure below) are wrapped around the probe arm shaft to provide thermal heat-sinking. This configuration includes a probe arm sensor (PS-SEN).

NOTE: Depending on the overall probe station configuration, use of the MCW arm may impact cool-down and base temperature specifications due to the large thermal mass and additional heat load.

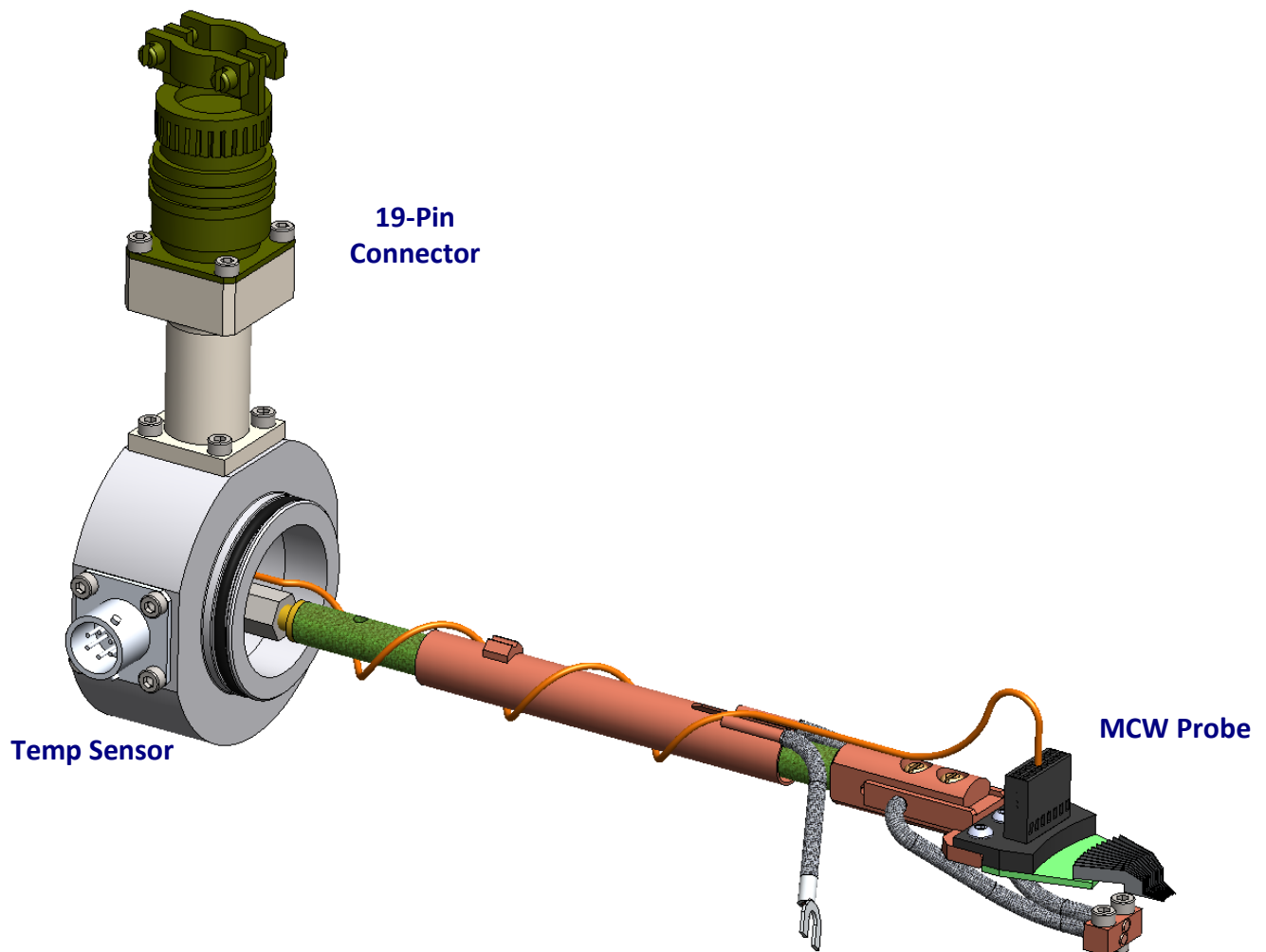


FIGURE 1: MCW probe arm configuration

Connector pin out:

Figure 2 shows the dimensions and the probe pin designations of the MCW-14 probe. Note that the tips are labeled from 1 to 12 from left to right. Table 1 shows the probe arm connector pin out. Depending on the specific MCW probe, some of these connections may not be used.

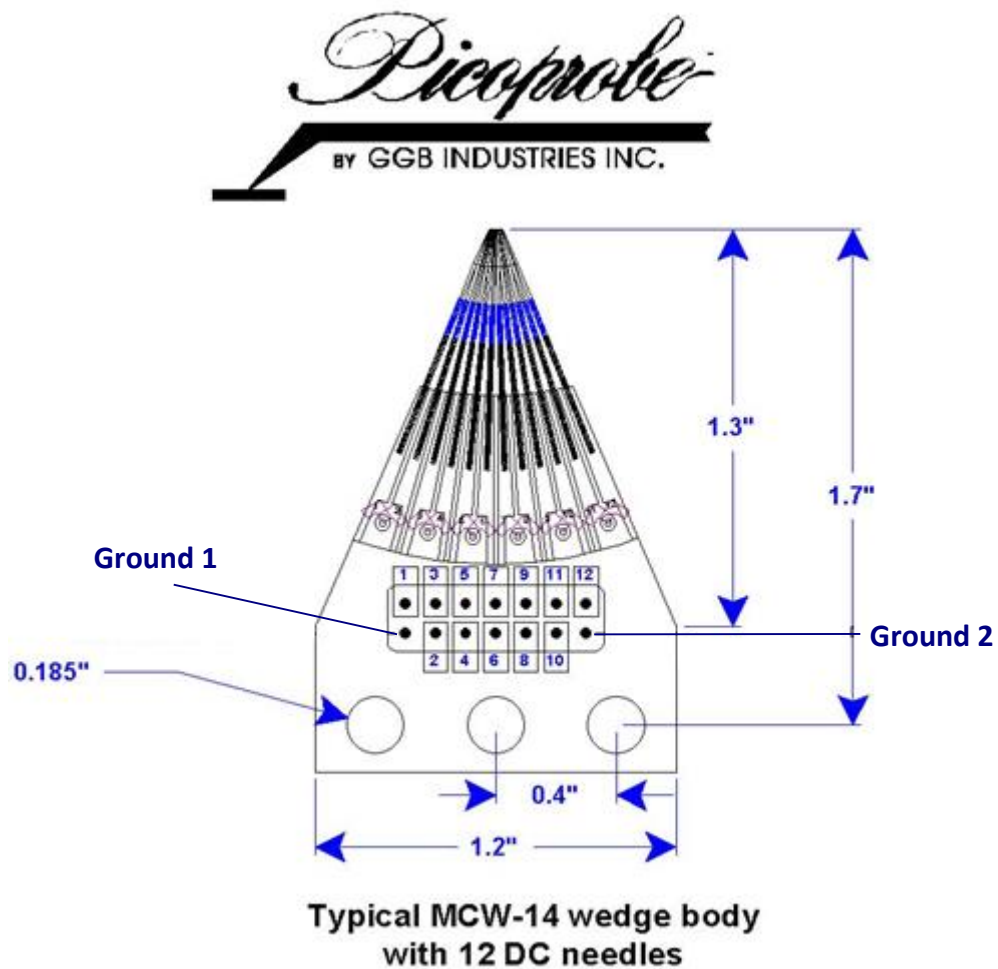


FIGURE 2: MCW probe tip pin out

6-Pin connector	19-Pin connector	MCW-14 Wedge	Wire Color
	A	1	BLACK
	B	2	GREEN
	C	3	CLEAR
	D	4	RED
A	E	5	BLACK
B	F	6	GREEN
C	G	7	CLEAR
D	H	8	RED
E	J	9	BLACK
	K	10	GREEN
	L	11	CLEAR
	M	12	RED
F	N	GROUND 1	BLACK
	P	GROUND 2	GREEN

TABLE 1: Connector pin outs